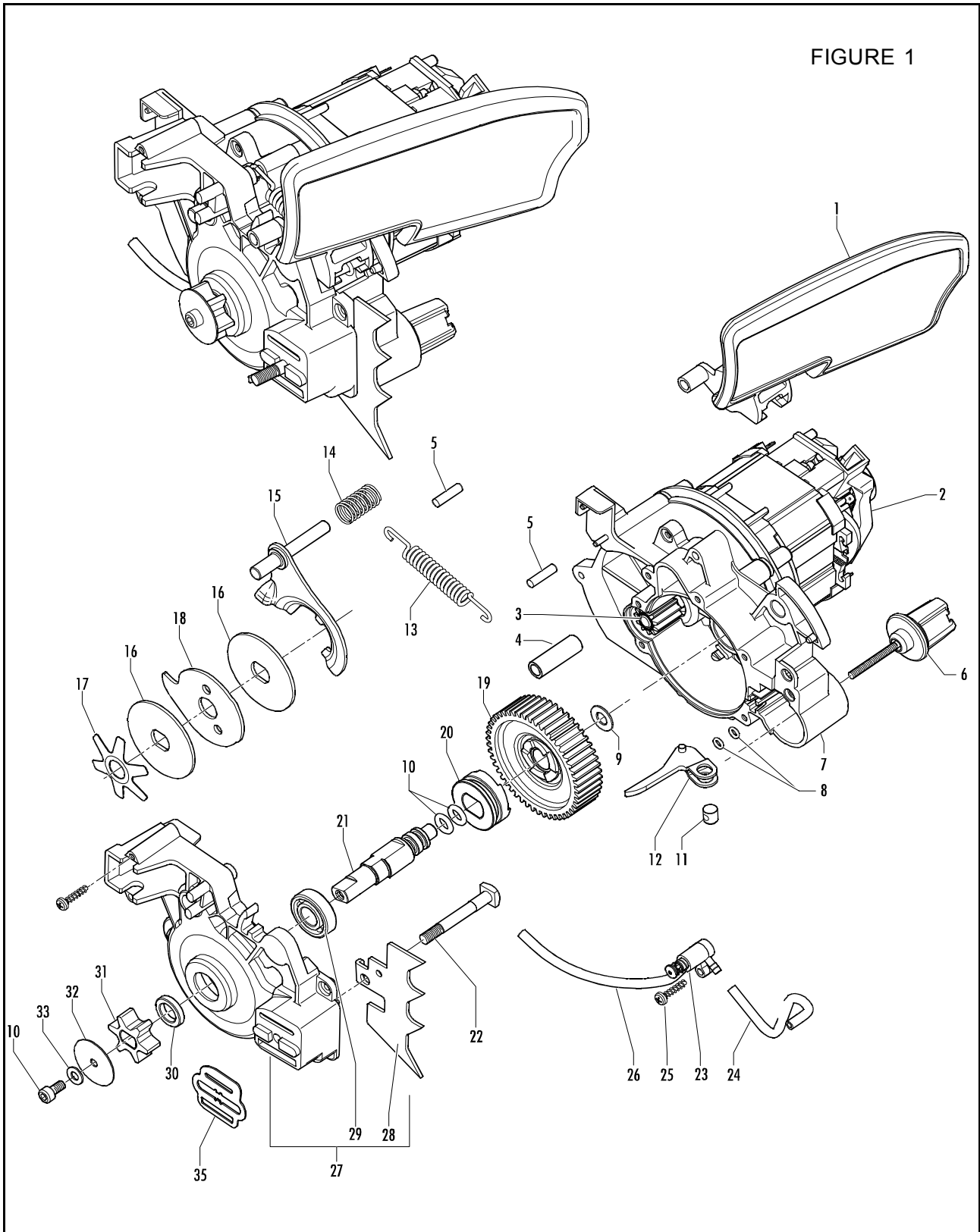


ELECTROLUX OUTDOOR PRODUCTS

PNC	Type/Prefix/nd	Model	Brand
953900417	01	P1835	PARTNER
953900443	01	P1835 ASSY UK	PARTNER
953900441	01	P1835 CH	PARTNER
953900418	01	P1840	PARTNER
953900444	01	P1840 ASSY UK	PARTNER
953900442	01	P1840 CH	PARTNER

Number of Pages 1 of 5

Factory: IIQ - Valmadrera	Product Group: OP 93
Publication Number: EIPL2004_VP0405003	Petrol Portable
Publication Date: 10/05/04	Sub Group 9434



Item	P/N McC	P/N ELX	Qty	DESCRIPTION
------	---------	---------	-----	-------------

Item	P/N McC	P/N ELX	Qty	DESCRIPTION
------	---------	---------	-----	-------------

FIGURE 1

1	5339	538005339	1	BRAKE LEVER
2	5306	538005306	1	MOTOR ASS'Y
3	5307	538005307	1	PINION
4	5372	538005372	1	BUSH D.5,5X9X23
5	5341	538005341	2	PIN
C 6	5327	538005327	1	LOCKING NUT
7	5308	538005308	1	MOTOR MOUNTING
B 8	5355	538005355	2	OR 2015
9	5322	538005322	1	WASHER
10	5381	538005381	2	OR 3030
C 11	5328	538005328	1	CHAIN TENSIONER NUT
C 12	5329	538005329	1	CHAIN TENSIONER ASS'Y
13	5340	538005340	1	BRAKE SPRING
14	5326	538005326	1	SPRING
15	5323	538005323	1	ROCKING LEVER ASS'Y
16	5314	538005314	2	DRIVEN PLATE
17	5311	538005311	1	BELLEVILLE WASHER
18	5313	538005313	1	PLATE
C 19	5320	538005320	1	GEAR
C 20	5315	538005315	1	COUPLING
21	5316	538005316	1	SHAFT
22	241035	538241035	1	STUD BOLT
A 23	5357	538005357	1	OIL PUMP ASS'Y
24	5334	538005334	1	HOSE
25	240862	538240862	1	SCREW M4X18
26	5333	538005333	1	SUCTION HOSE
27	5310	538005310	1	CHAIN BRAKE COVER ASS'Y
28	• 5338	538005338	1	SPIKE
B 29	• 5362	538005362	1	BEARING 6001 ZZ V2 LDS 18
30	5317	538005317	1	PINION SPACER
B 31	5318	538005318	1	PINION
32	5319	538005319	1	WASHER
33	236529	538236529	1	GROWER D.5
34	5354	538005354	1	SCREW M5X10
35	5380	538005380	1	PLATE

A=ALTA ROTAZIONE
 B=MEDIA ROTAZIONE
 C=ALTA ROTAZIONE
 NUOVI CODICI

A=HIGH MOVING
 B=MEDIUM MOVING
 C=SLOW MOVING
 NEW P. NUMBERS

A=HAUTE DEMANDE
 B=MOYENNE DEMANDE
 C=BASSE DEMANDE
 NOUVELLES REFERENCES

A=GROBE NACHFRAGE
 B=MITTELMAESSIGE
 C=WENIGE NACHFRAGE
 NEU CODEX

FIGURE 2

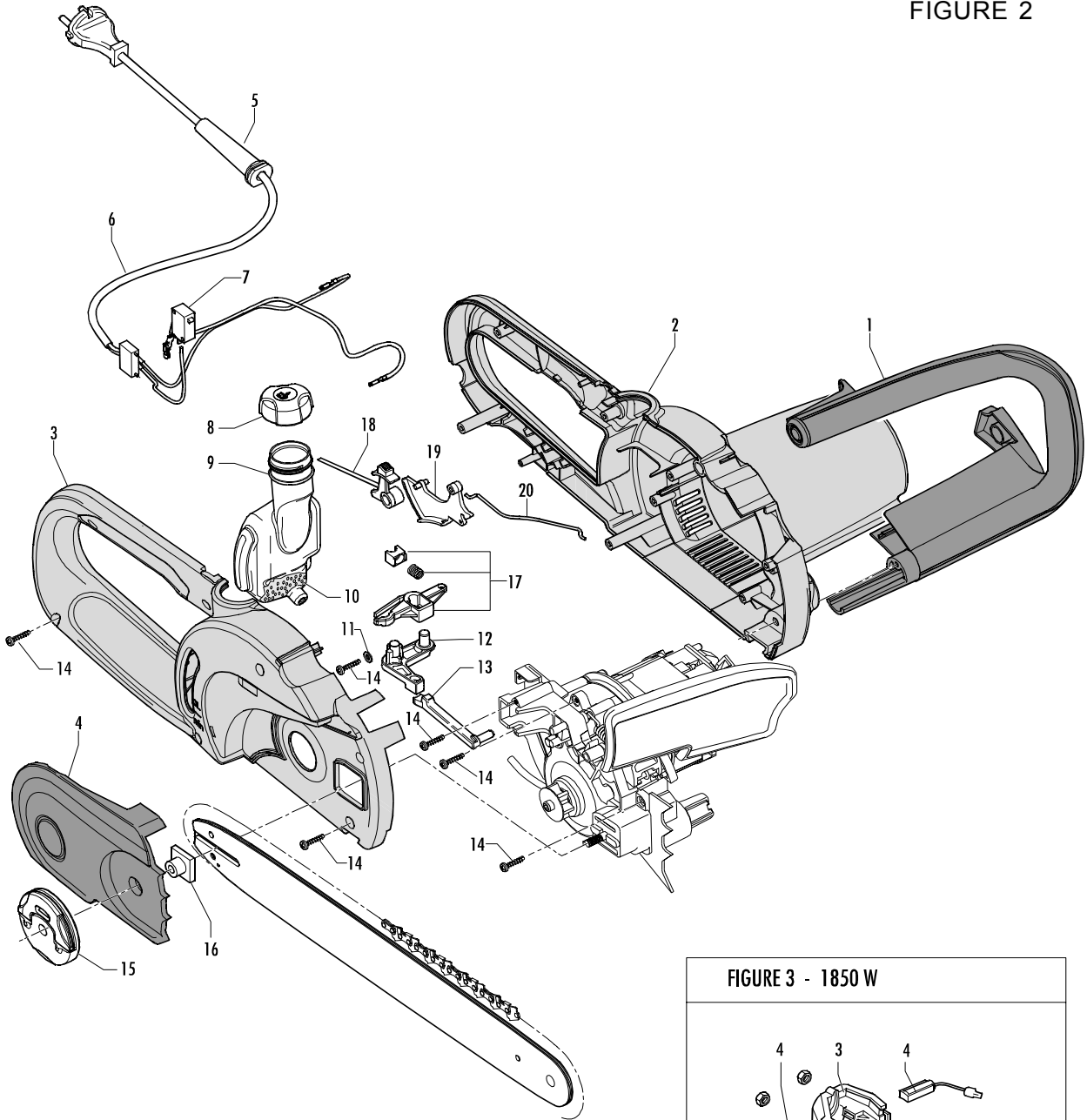
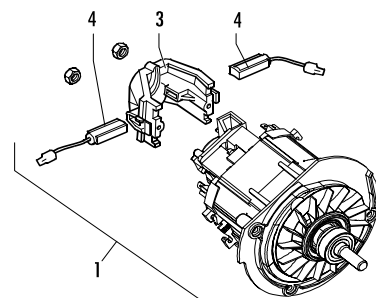


FIGURE 3 - 1850 W



Item	P/N McC	P/N ELX	Qty	DESCRIPTION
FIGURE 2				
1	5351	538005351	1	FRONT HANDLE
2	5304	538005304	1	LEFT CRANKCASE
3	5305	538005305	1	RIGHT CRANKCASE
B 4	5349	538005349	1	PINION COVER
5	241051	538241051	1	WIRE COVER
6	5373	538005373	1	WIRES ASSY
C 7	242687	538242687	1	MICRO SWITCH
B 8	5336	538005336	1	OIL CAP
9	5335	538005335	1	OIL TANK
B 10	242365	538242365	1	OIL FILTER
11	235612	538235612	1	WASHER
12	5343	538005343	2	FORK LEVER
13	5342	538005342	1	SAFETY LEVER
14	240862	538240862	14	SCREW M4X18
A 15	5366	538005366	1	LOCKING NUT ASS'Y
16	5378	538005378	1	SPACER
17	249172	538249172	1	ROCKING LEVER ASS'Y
18	5347	538005347	1	SAFETY LEVER
19	5346	538005346	1	TRIGGER
20	5345	538005345	1	TENSION ROD

Item	P/N McC	P/N ELX	Qty	DESCRIPTION
FIGURE 3				
C 1	5306	538005306	1	motor ass'y 1850 W
C 3	• 00248957	538048957	1	brushes holder
C 4	• 00248956	538048956	2	brushes

A=ALTA ROTAZIONE
 B=MEDIA ROTAZIONE
 C=ALTA ROTAZIONE
 NUOVI CODICI

A=HIGH MOVING
 B=MEDIUM MOVING
 C=SLOW MOVING
 NEW P. NUMBERS

A=HAUTE DEMANDE
 B=MOYENNE DEMANDE
 C=BASSE DEMANDE
 NOUVELLES REFERENCES

A=GROBE NACHFRAGE
 B=MITTELMAESSIGE
 C=WENIGE NACHFRAGE
 NEU CODEX